

## Issue :

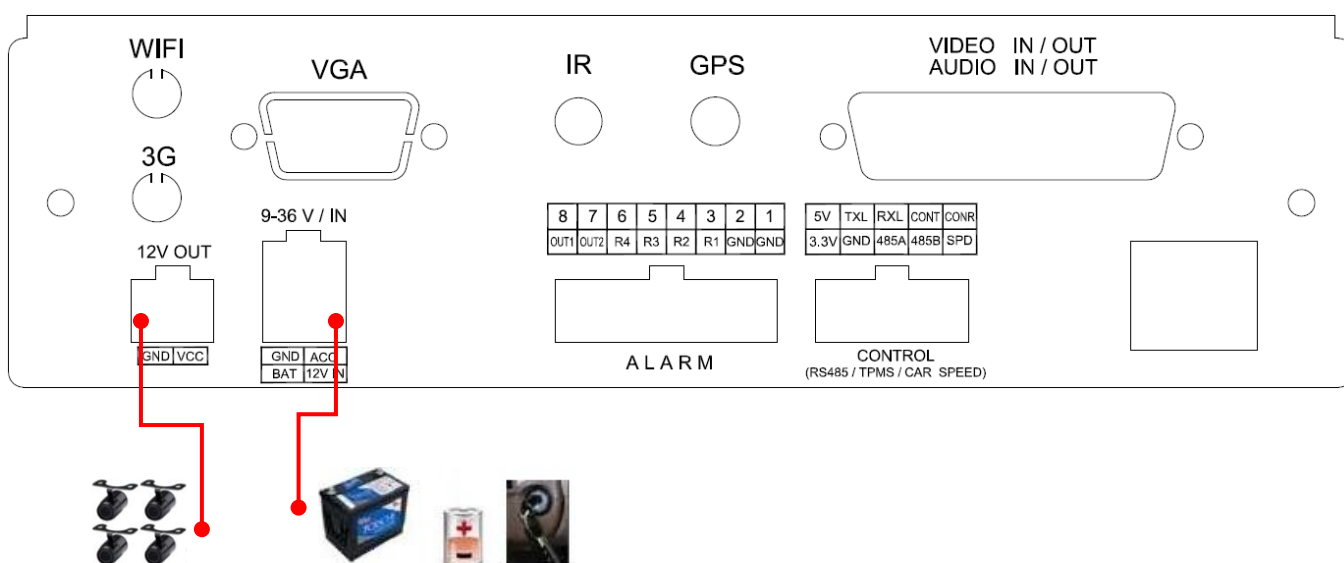
After the installation Mobile DVR and camera finished, system cannot display video on main screen.

## Ans :

Please make sure your connection about power cable.

The Grey line is support power for camera, so please make sure the voltage of cable is 12V. or you can provide power to camera by other way ( battery ).

### ● 1. Basic Installation

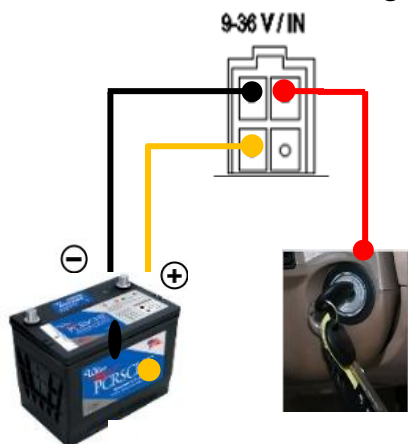


For Camera  
( BNC mode )

# For DV2808, operation of the Power output is voltage bypass.

# There external equipments shown on the above diagram are just for reference.

### ● 2. Power connect diagram



※Note:

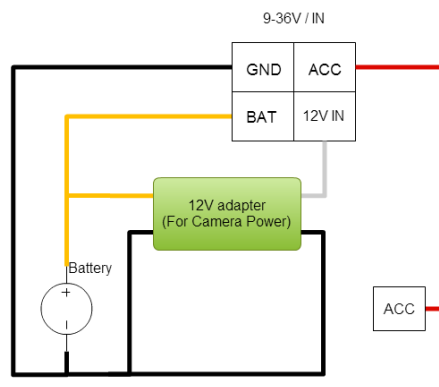
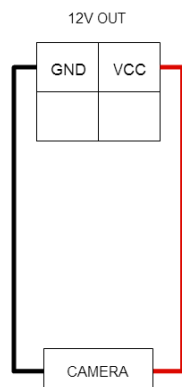
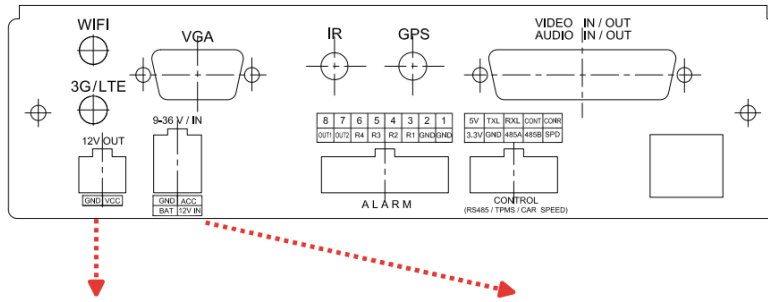
If user setup to **enable** that engine switch off then system keep record function. ( Defaults )

-- >> Red line connect "ACC+", Yellow line connect "Battery".

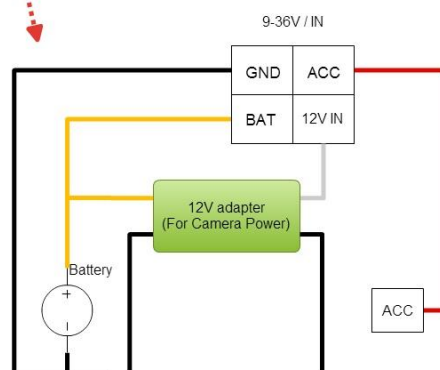
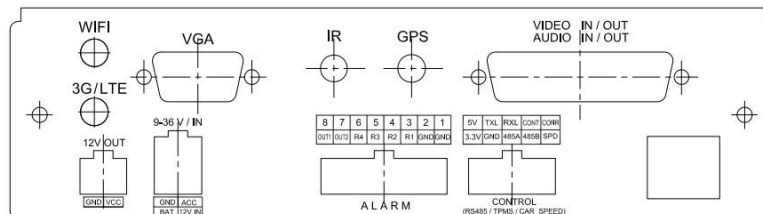
If user setup to **disable** the function:

-- >> Combine Red 、 Yellow Line to connect "ACC+" .

## 2-1 BNC connect mode



## 2-2 Aviation connect mode



- For Grey line connection ( 12V IN )

We recommend that MDVR need to connect a 12V DC adapter if the camera power need to comes from MDVR.